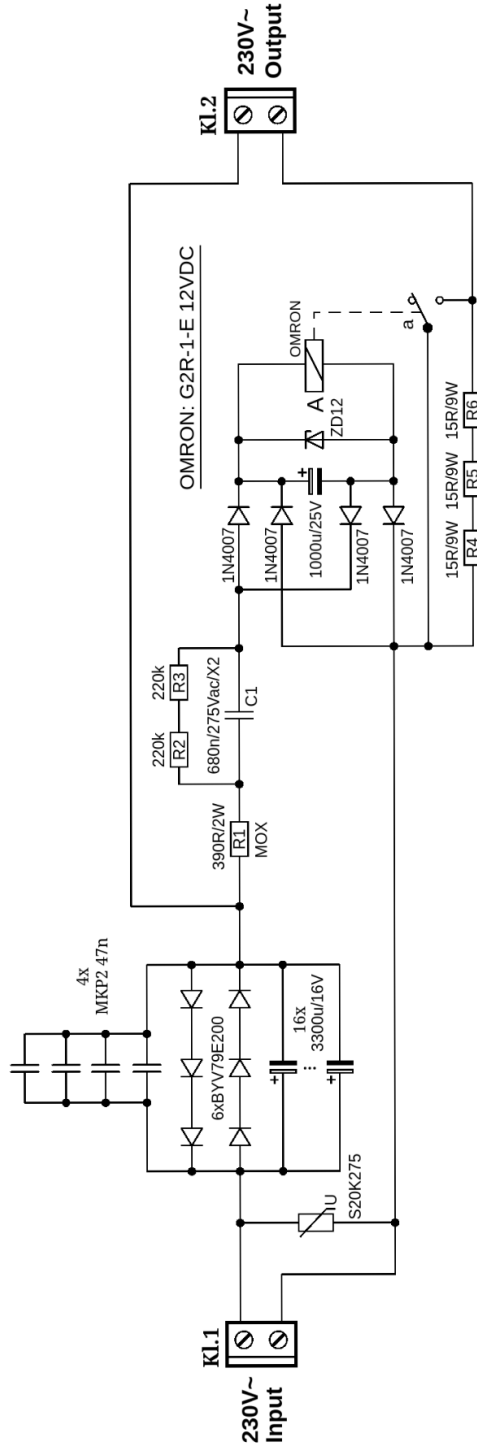


# Schaltplan DC-Filter & Soft-Start



- VDR (EPCOS "S20K275")
- Kondensatoren (Wima "MKP2"- RM5)
- Elkos (PANASONIC "FC")
- R1 (MOX, 2W - Serie PO 593-0))
- R2, R3 (Metallschicht, 1W - Serie PR 01)
- R4, R5, R6 (Drahtwiderstand Serie KV214-3)
- C1 (PANASONIC Typ "ECQUA")
- Kl.1, Kl.2 (Schraubklemme "AKL 101-02")

TITLE: <b>DC-Filter &amp; Soft-Start</b>		REV: 1.0
Company: André Buscher Audiotechnik		Sheet: 1/1
Date: 21.04.2022		Drawn By: André Buscher